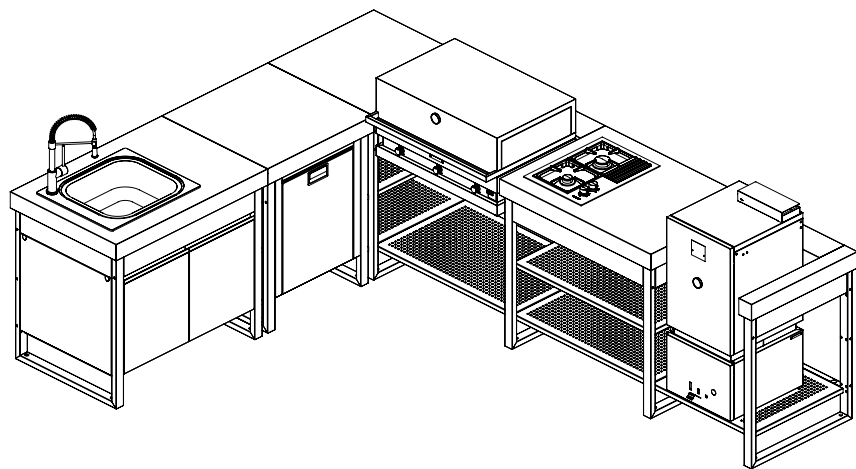


FÒGHER

outdoor cooking design

LÀRES COLLECTION
OUTDOOR MODULAR KITCHEN

ENGLISH



LÀRES COLLECTION

MANUAL AND ASSEMBLY INSTRUCTIONS

BEFORE INSTALLING AND USING THESE PRODUCTS, READ THE MANUAL CAREFULLY

INDEX

FOREWORD.....	5
TECHNICAL SPECIFICATIONS	6
OVERALL DIMENSIONS	6
MATERIALS	6
CUSTOMISATION.....	6
OVERVIEW	7
SAFETY WARNINGS.....	8
ASSEMBLY INSTRUCTIONS.....	9
UNPACKING.....	9
PREPARING THE MODULES.....	10
POSITIONING THE MODULES.....	15
CONNECTING THE MODULES	16
INSTALLING AND CONNECTING THE ACCESSORIES	21
PANELLING THE MODULES.....	29
INTERMEDIATE SHELVES.....	36
ADJUSTING THE FEET	37
ADJUSTING THE DOOR.....	38
ROUTINE CLEANING AND MAINTENANCE.....	39

FOREWORD

Dear Customer,

Thank you and congratulations on choosing a product from our line; we are sure that you will appreciate its quality and note how easy it is to use. All our products are covered by Warranty, as specified in the general conditions of sale established by Directive 1999/44/EEC. If, at the time of purchase or during the validity period of the warranty, you identify any faults attributable to manufacturing errors, defects in components or missing accessories, please report them promptly to our Sales or Technical Assistance network. After carrying out the appropriate checks, we will repair or replace the defective parts that were reported.*

The Warranty is applicable only to obvious defects of the product under normal conditions of installation, use and maintenance. It does not cover faults caused by improper installation and incorrect use. Furthermore, it does not cover defects arising from technical modifications made voluntarily by the user, the use of non-original accessories, vandalism, lack of cleaning, lack of routine and extraordinary maintenance, and general neglect by the user. This Warranty does not cover damage caused by weather phenomena such as thunderstorms, storms, floods, earthquakes or tornadoes.

TECHNICAL SPECIFICATIONS

OVERALL DIMENSIONS

Module width: 8,5 cm/70 cm/100 cm.

Hob module width:

- FGA 500/500FO..... 58 cm
- FGA 750/750 FO..... 83 cm
- FGA 1000/1000 FO.....112 cm
- WS 450/RF 450 smoker..... 58 cm

Depth: 70 cm.

Worktop height: 91 cm.

MATERIALS

- Worktop, shelves and door handles made of AISI 304 stainless steel with scotch-brite finish
- Tubular structure made of galvanised steel with two powder coats: primer and polyester paint (for outdoor use)
- Panelling made of polyester powder coated zinc-magnesium steel (for outdoor use)

CUSTOMISATION

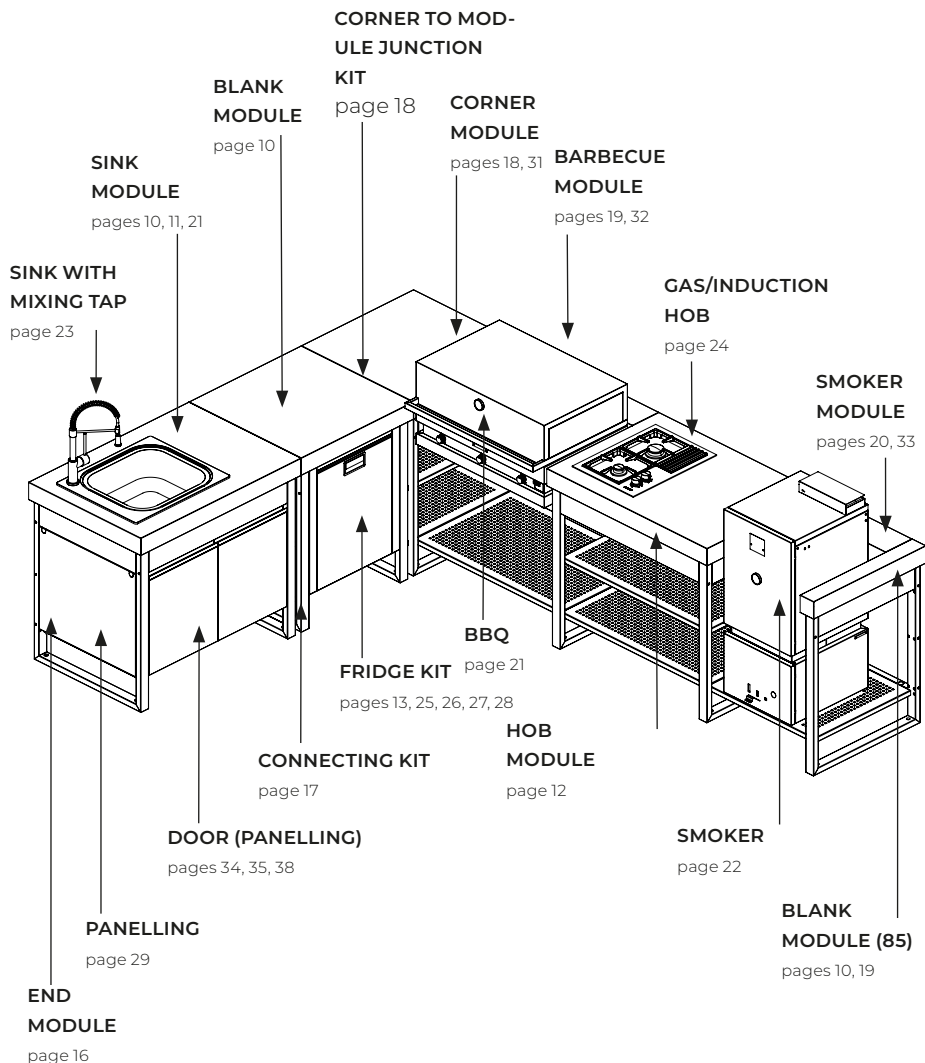
The modules can be of five different types:

- Blank
- Sink
- Hob (gas or induction)
- Gas barbecue
- Carbon smoker

All modules can be combined with each other, choosing from the various measurements, installation directions, corner to module connecting kits, and whether there is panelling and/or a fridge.

OVERVIEW

The overview below serves to summarise all the components from which the kitchen can be composed, with references to the corresponding chapters.



SAFETY WARNINGS

Read this manual carefully before assembly. It provides the information needed for safe installation and correct use. Keep the manual in a safe place and hand it over to the purchaser if the product is sold.

As Fògher products are under continuous development, the manufacturer reserves the right to make changes to improve the shape, equipment or technical aspects at any time. The text, illustrations and regulations in this manual are based on information that was current at the time of printing.

If you lose it, ask our sales or technical assistance network for a replacement copy or consult the www.fogher.com website.

Strictly follow the following instructions:



Only qualified personnel may carry out assembly



The end user must read the kitchen assembly and maintenance instructions carefully and keep them



The assembly instructions for barbecues, fridges, sinks, mixing taps and gas/induction hobs are in the relative packages. Follow them carefully during assembly. The end user must keep them when assembly is complete



Failure to follow the instructions resulting in assembly that does not comply with them may limit product functionality and cause harm to people or things. The manufacturer shall not be held liable in such cases



Only qualified personnel may connect the water and power, and only in accordance with any local standards and regulations



When assembling and installing accessories and household appliances, do not carry out work that will alter their characteristics or compromise the safety



Before assembly, check that the electrical and water connections have been carried out to the highest standards

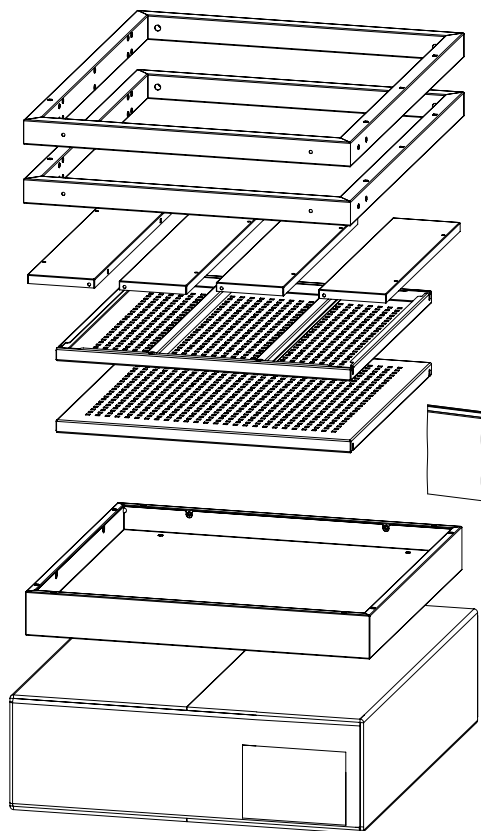
ASSEMBLY INSTRUCTIONS

At least two people are required to carry out the installation procedure, which is similar for all 700 and 1000 modules (blank, sink, hob and corner).

UNPACKING

IMPORTANT Take care during unpacking.

Do not cut the carton, but remove the adhesive tape to avoid damaging the components inside.

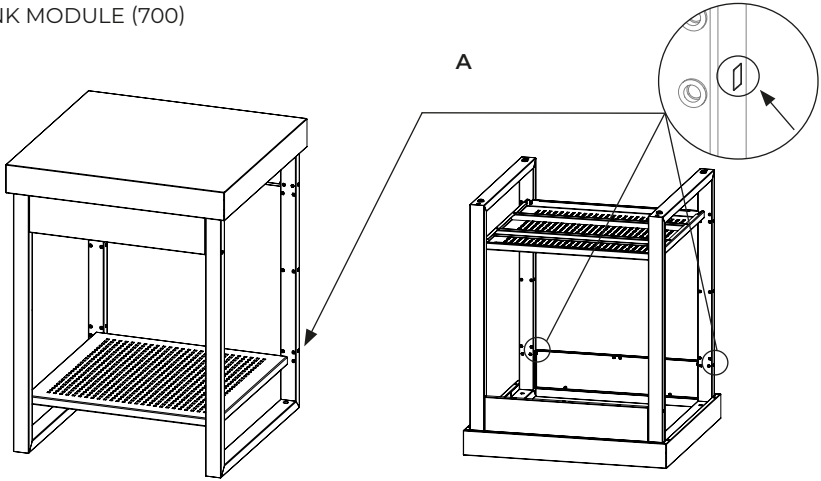


PREPARING THE MODULES

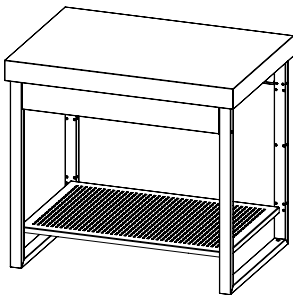
The images below are intended to help position the worktop and legs correctly during installation (described later).

For the 700 blank, intermediate/end support and sink module, the work top is symmetrical, so just to take care to fit the legs in the correct direction with the knockouts on the same side (see image **A**), which will be the rear of the kitchen.

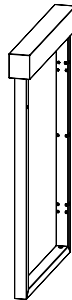
BLANK MODULE (700)



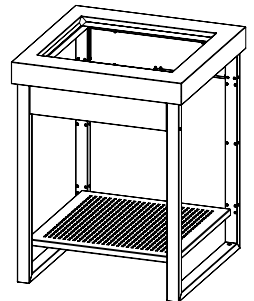
BLANK MODULE (1000)



BLANK MODULE (85)



SINK MODULE (700)

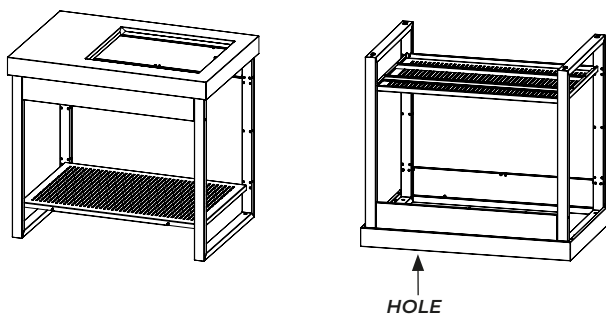


The 1000 sink module and hob modules (both gas and induction, with or without fridge) can be installed on the right or left, depending on the desired final mounting hole position for the appliance (sink or hob).

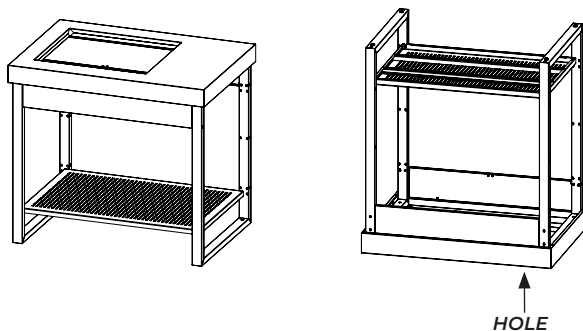
Just take care to fit the legs in correct direction with the knockouts on the same side (see image **A**), which will be the rear of the kitchen.

SINK MODULE (1000)

RIGHT

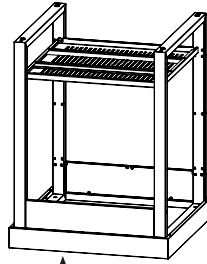
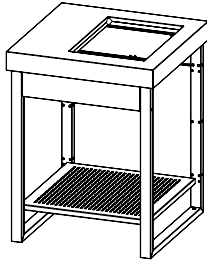


LEFT



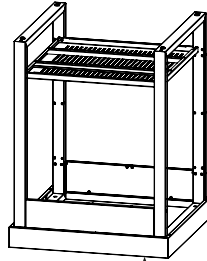
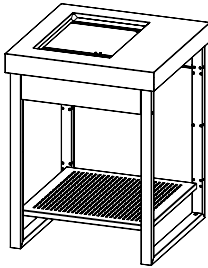
GAS/INDUCTION HOB MODULE (700)

RIGHT



HOLE

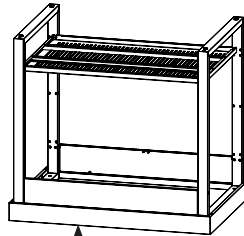
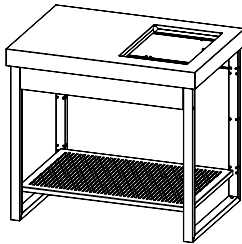
LEFT



HOLE

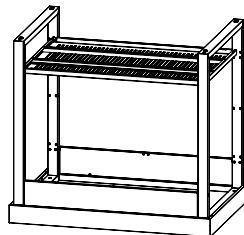
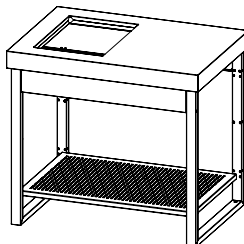
GAS/INDUCTION HOB MODULE (1000)

RIGHT



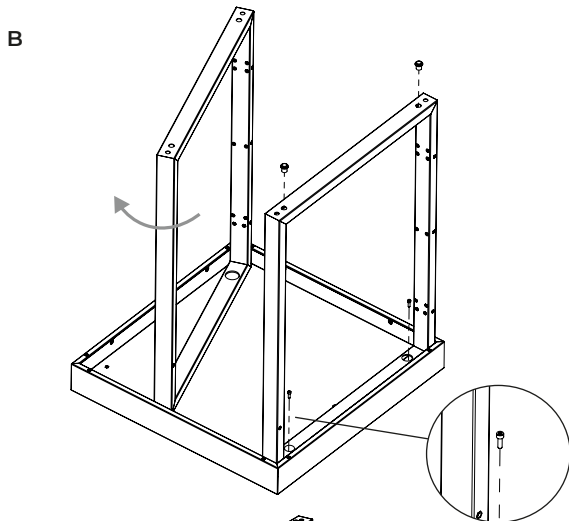
HOLE

LEFT



HOLE

The images below show the 700 blank module, but apply to the installation procedures for all the modules.



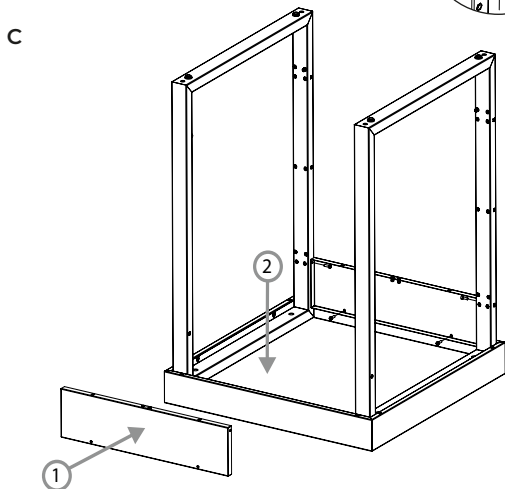
STEP 1

Place the worktop on a smooth surface protected with cardboard or a blanket, insert the legs in position as shown in image **B** and fasten them with the screws supplied.

Fit the adjustable feet in the holes provided.



WARNING The screws are made of stainless steel and therefore are not magnetic.



STEP 2

Install the rear cover as shown in the figure **C** using the screw supplied.

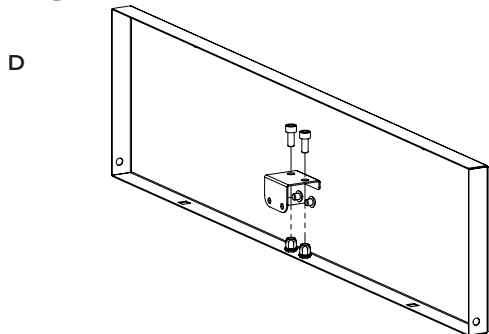
For the fridge module, the rear cover is different from the front cover, and should not be fitted (skip steps 3/4).

STEP 3

Only applicable when fitting the panelling, see the module panelling chapter.

Fit the rubber pads on the stop bracket and screw it onto the front cover (image **D**).

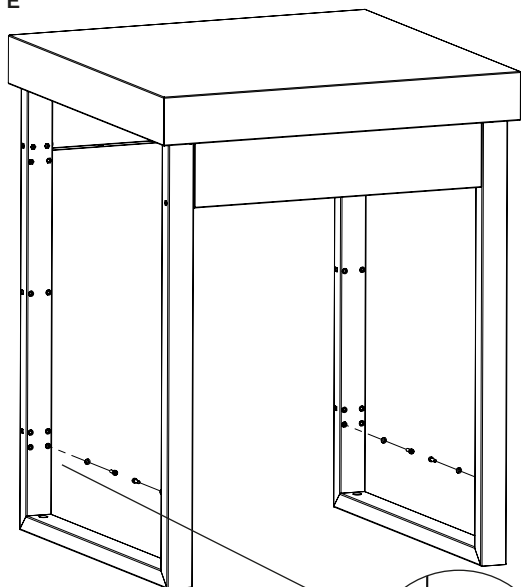
(Bracket, screws and rubber pads supplied in the panelling kit, see page 23).



STEP 4

Install the front cover as shown in the figure **C** using the screw supplied.

E



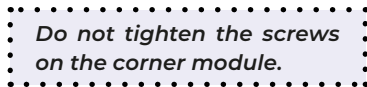
STEP 5

Tighten the 4 lower screws inside the module legs with the washer as shown in image **E**, leaving them loose.

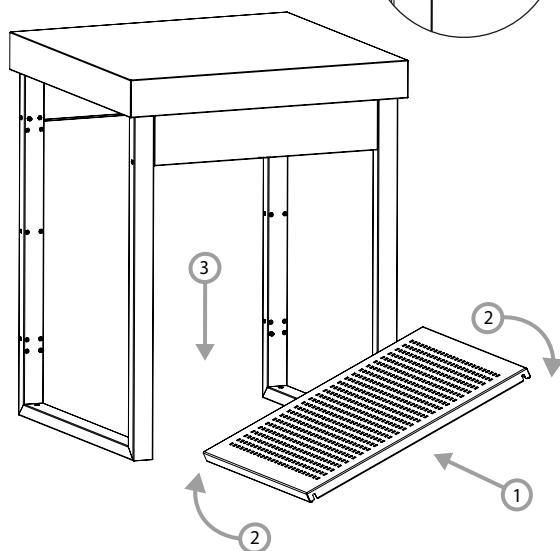


STEP 6

Insert the shelf as shown in image **F**, and tighten the screws inserted previously.



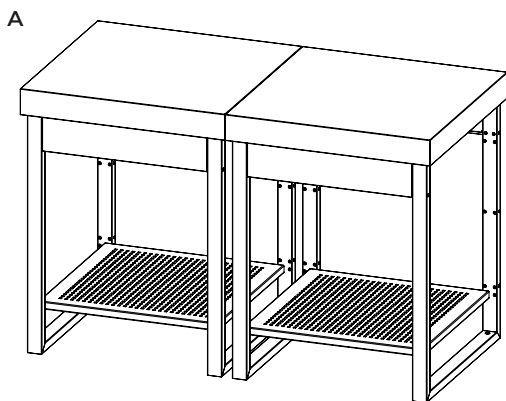
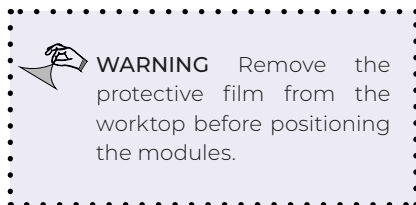
F



POSITIONING THE MODULES

Position the modules in their final locations, following any project drawing and the instructions below.

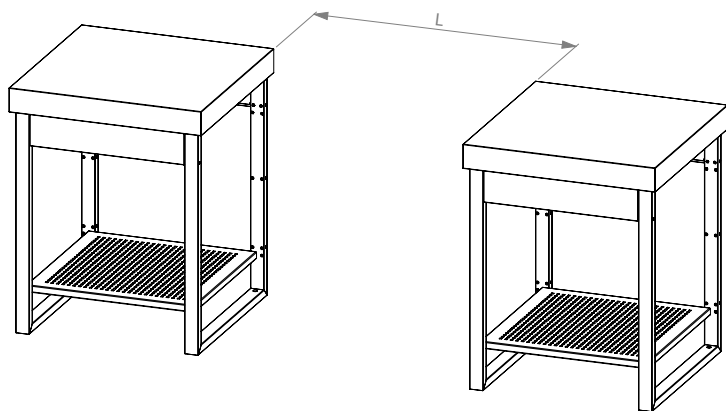
AGAINST EACH OTHER



Position the blank, hob, sink and fridge modules as shown in image **A**. The corner module can be position in either orientation indifferently. Level the modules with each other during installation.

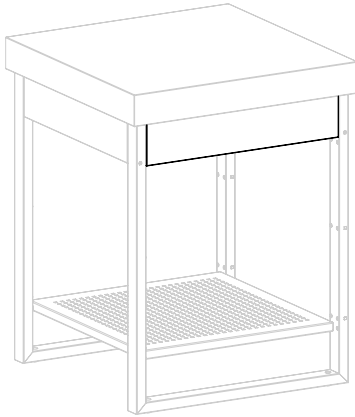
For the barbecue and smoker modules, leave a precise distance, which depends on the model:

- FGA 500/500FO.....L = 58 cm
- WS 450/RF 450.....L = 58 cm
- FGA 750/750 FO.....L = 83 cm
- FGA 1000/1000 FO.....L = 112 cm



CONNECTING THE MODULES

END MODULE



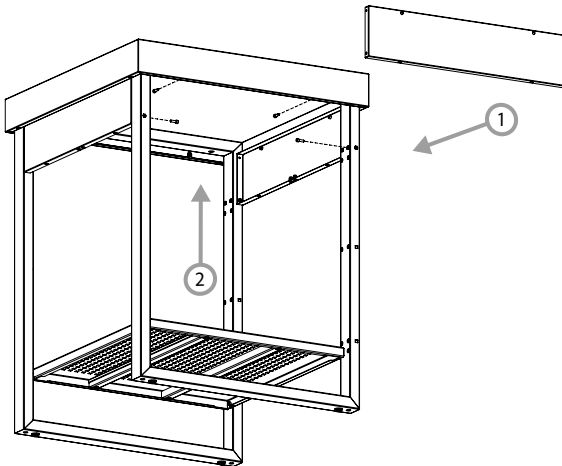
STEP 1

Fit the side cover on the end side of the kitchen (both sides) as shown in image **A**, using the screws supplied.

STEP 2

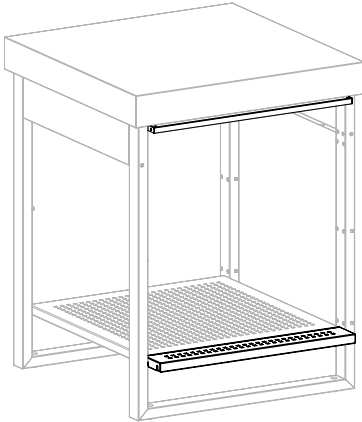
Fit the cover also on the side of any corner module.

A



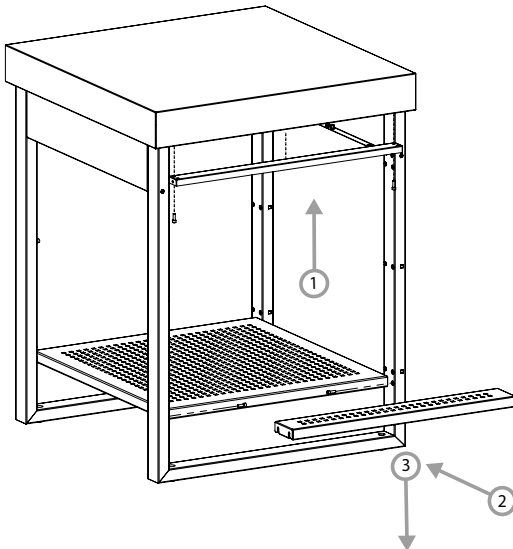
MODULES AGAINST EACH OTHER

- Connecting kit



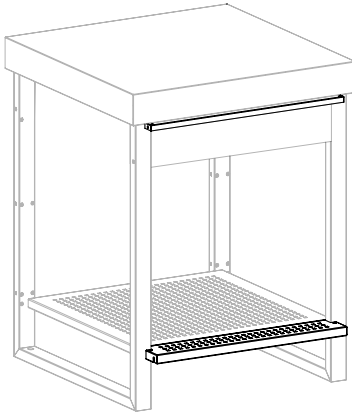
Fit the 2 components illustrated from the connecting kit as shown in image **B** using the screws supplied. The other components may be assembled later, depending on the final configuration.

B



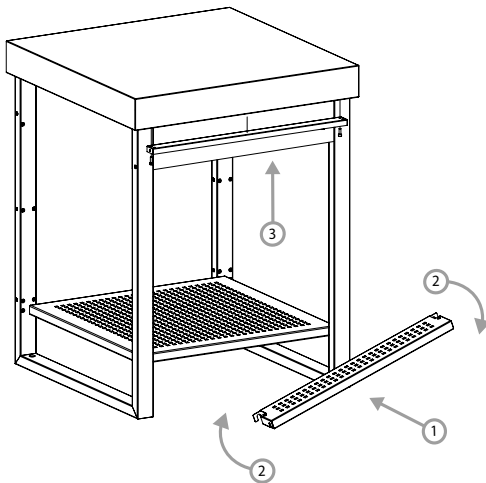
CORNER MODULE

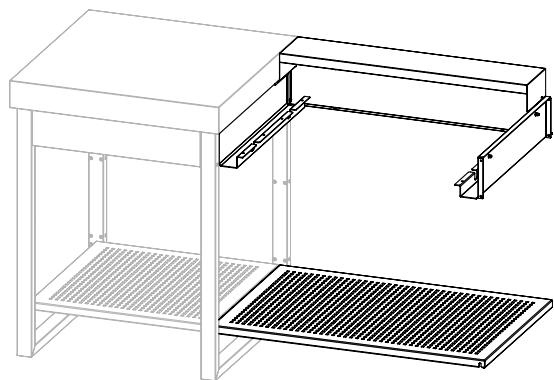
- Corner connecting kit



Fit the 2 components illustrated from the corner connecting kit as shown in image **C** using the screws supplied. The other components may be assembled later, depending on the final configuration.

C





STEP 1

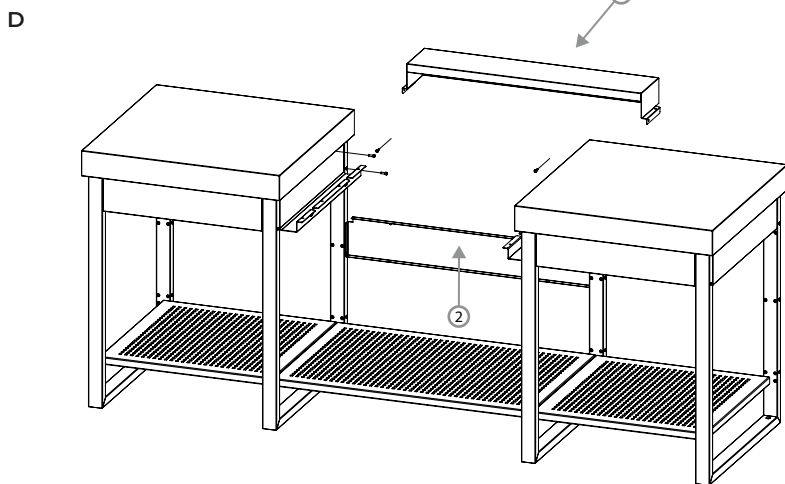
Fit the BBQ mounting brackets to the side modules or intermediate/end support following the procedure on page 16.

STEP 2

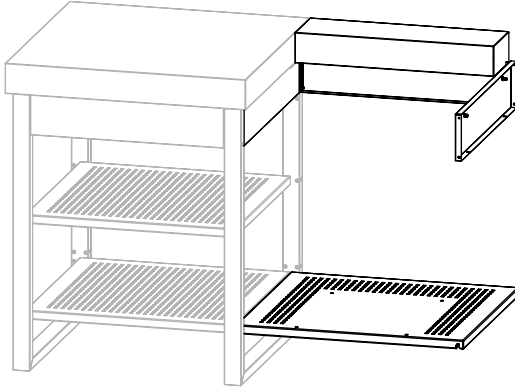
Fit the rear covers as shown in image **D** using the screws supplied.

STEP 3

Fit the lower shelf following the procedure on page 14.



SMOKER SUPPORT KIT



STEP 1

Fit the SMOKER mounting brackets to the side modules or intermediate/end support following the procedure on page 16.

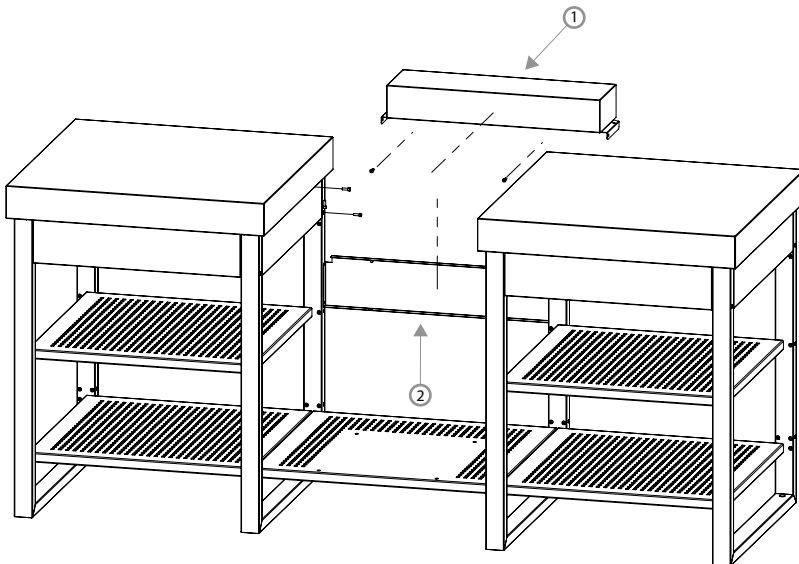
STEP 2

Fit the rear covers as shown in image **E** using the screws supplied.

STEP 3

Fit the lower shelf following the procedure on page 14.

E



INSTALLING AND CONNECTING THE ACCESSORIES

BARBECUE

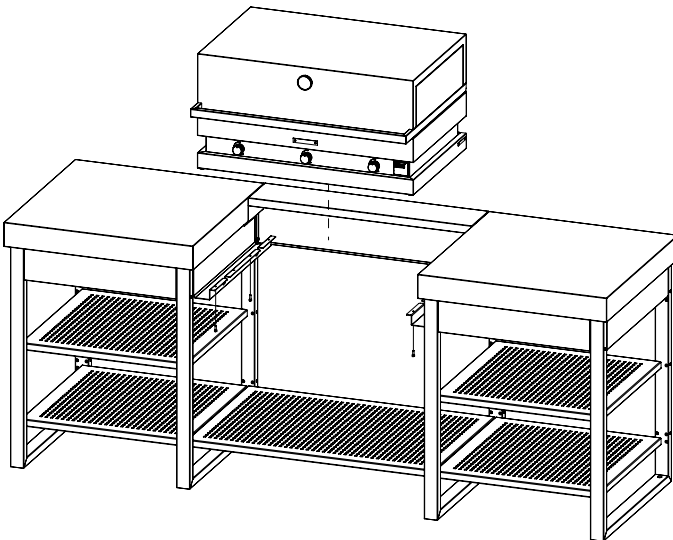
STEP 1

Fasten the BBQ to the side brackets fitted previously using the 4 screws supplied.

If the barbecue module will be panelled, do so after fitting the panelling (see page 32).

STEP 2

Strictly follow the instructions given in the appliance operation manual.



SMOKER

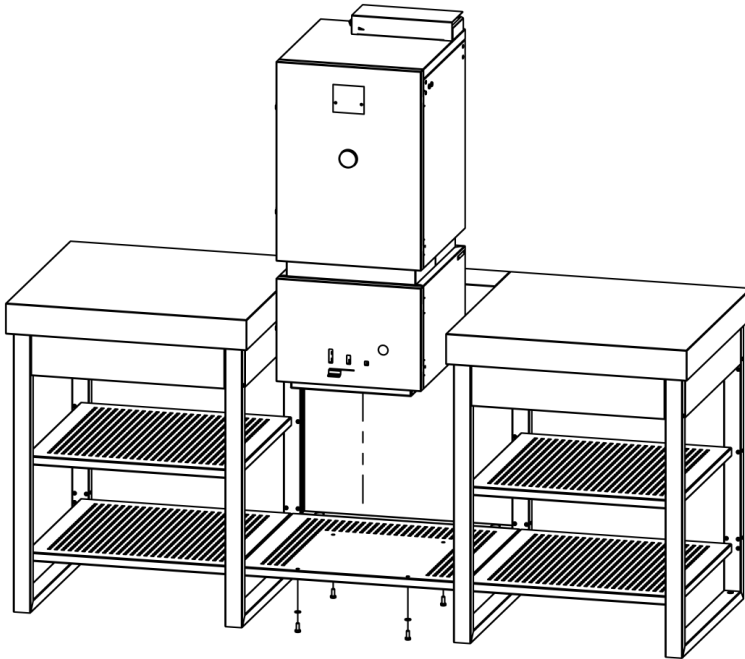
STEP 1

Fasten the SMOKER to the lower shelf fitted previously using the 4 screws and washer supplied.

If the smoker module will be panelled, do so after fitting the panelling (see page 33).

STEP 2

Strictly follow the instructions given in the appliance operation manual.

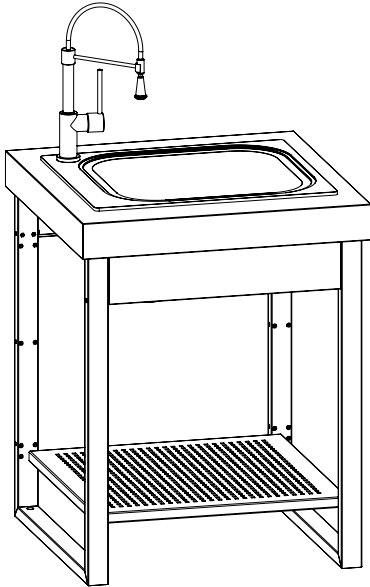


STEP 1

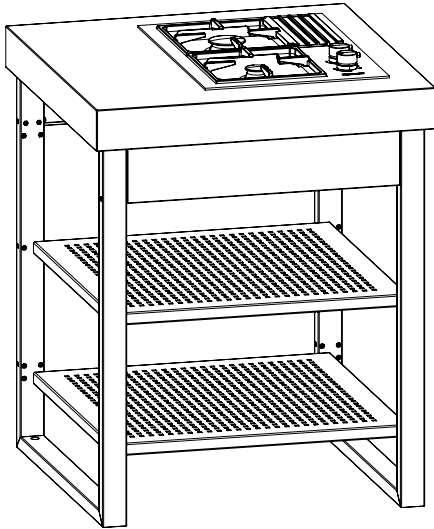
Fasten the sink and mixing tap, referring to the respective instructions provided.

STEP 2

Make all the connections, referring to the corresponding manuals.

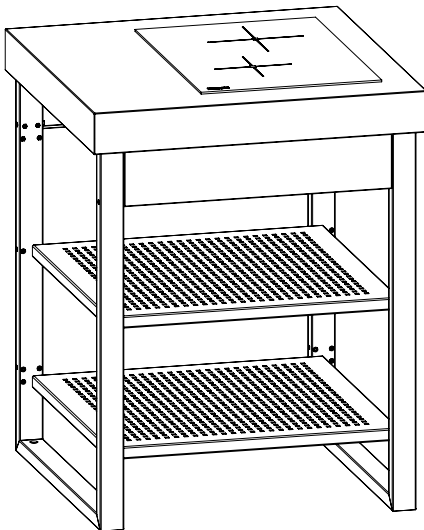


CAUTION It will not be possible to fit the sink side clamps on the 700 module: fasten the sink with the front and rear clamps.

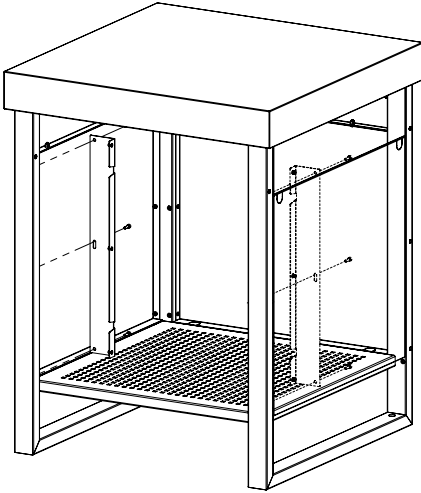


STEP 1
Fasten the hob, referring to the corresponding manual inside the packaging.

STEP 2
Make all the connections, referring to the hob manual.



A

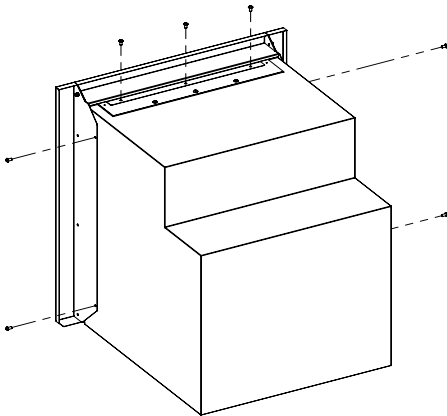


STEP 1

Fit the side supports to the legs as shown in image **A** using the screws supplied.

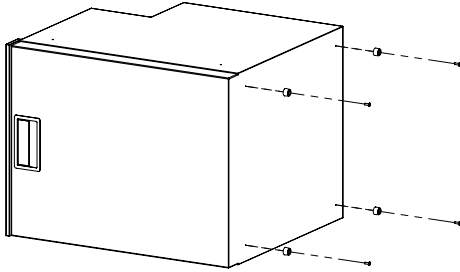
STEP 2

Remove the frame from the fridge by undoing the 3 screws at the top and the 2 screws on each side of the fridge.



STEP 3

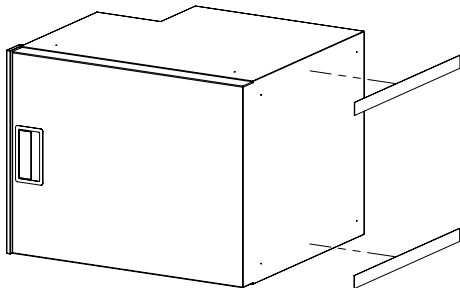
Remove the 4 feet from the bottom of the fridge.



STEP 4

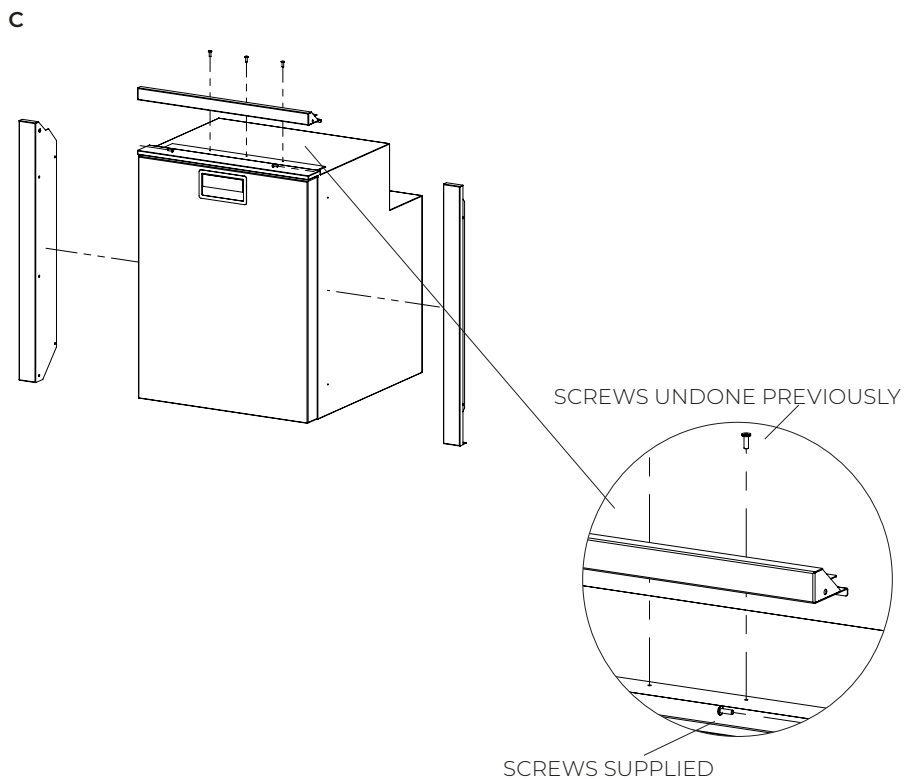
Apply the adhesive tape supplied as shown in image **B**.

B

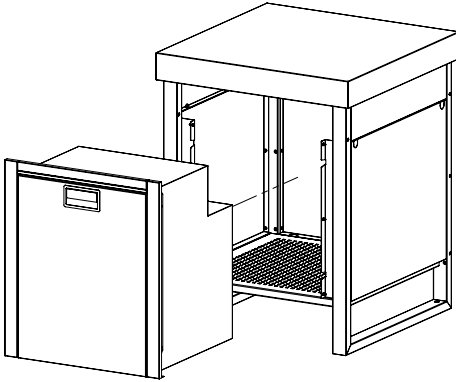


STEP 5

Undo the 3 remaining screws from the top of the fridge, fit the top frame as shown in image **C** using the screws just removed. Refit the 3 top screws undone previously to remove the frame.



D



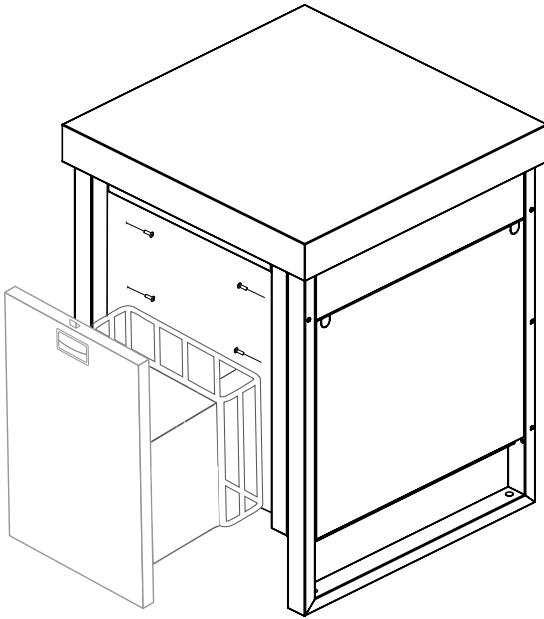
STEP 6

This step will only be possible after the panelling has been fitted; (see page 29).

Push the fridge into position as shown in image D.

STEP 7

Open the fridge and fasten it to the supports fitted previously using the 6 screws supplied.

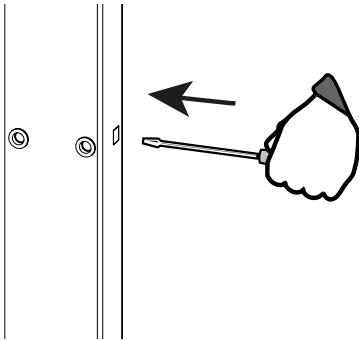


PANELLING THE MODULES

If one or more modules must be panelled, fit the covers as described below.

END MODULE:

A



STEP 1

Fit the intermediate side covers by following the procedure described on page 16.

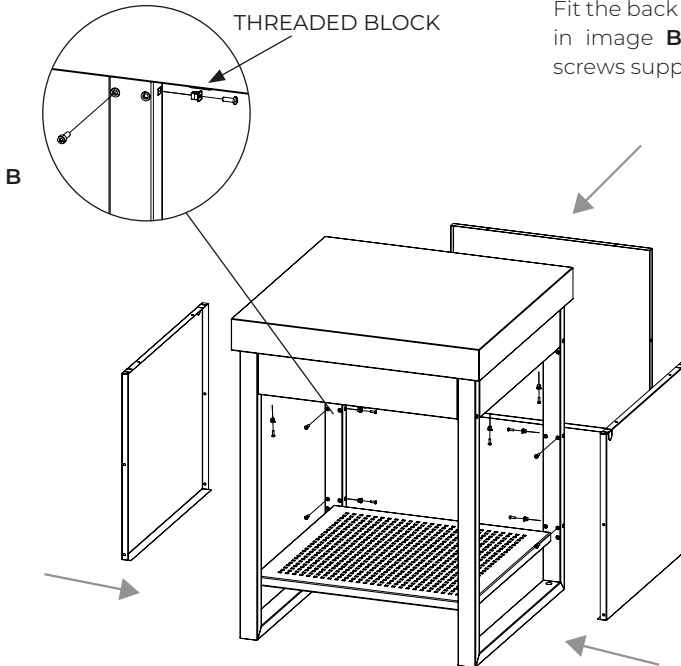
STEP 2

Break the knockouts on the sides of the legs inside the modules using a suitably sized flat-blade screwdriver as shown in image **A**, and fit the threaded blocks in the square holes in the side and rear covers.

Check that the door stop bracket has been fitted to the front cover (see page 13).

STEP 3

Fit the back and both sides as shown in image **B** using the self-tapping screws supplied.



STEP 1

Fit the vertical covers from the connecting kit as shown in image C using the screws supplied.

If you intend to fit the side cover on the connecting kit side, the lower fastening screws for the vertical covers will also serve to fasten the side cover.

STEP 2

Fit the intermediate side covers following the procedure on page 16.

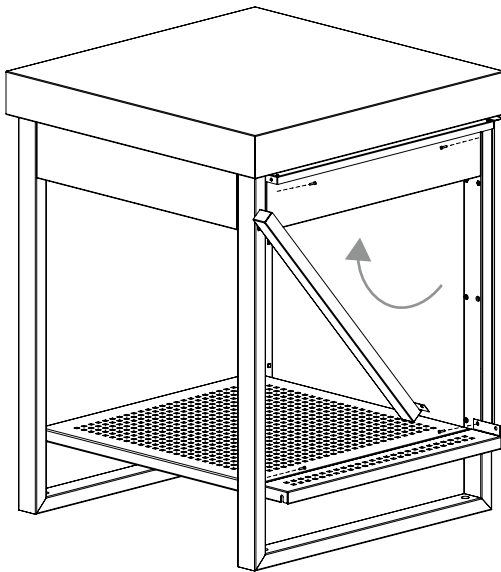
STEP 3

Break the knockouts inside the legs and insert the blocks following the procedure on page 29.

STEP 4

Fit the back and both sides following the procedure on page 29.

C



STEP 1

Fit the vertical covers from the corner connecting kit as shown in image **D** using the screws supplied.

STEP 2

Fit the remaining side cover following the procedure on page 16.

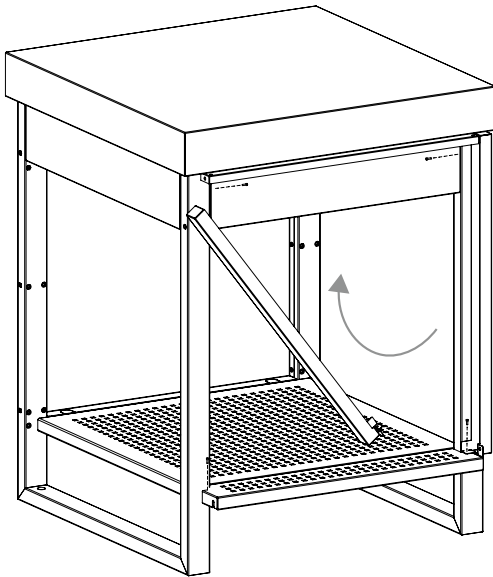
STEP 3

Break the knockouts inside the legs and insert the blocks following the procedure on page 29.

STEP 4

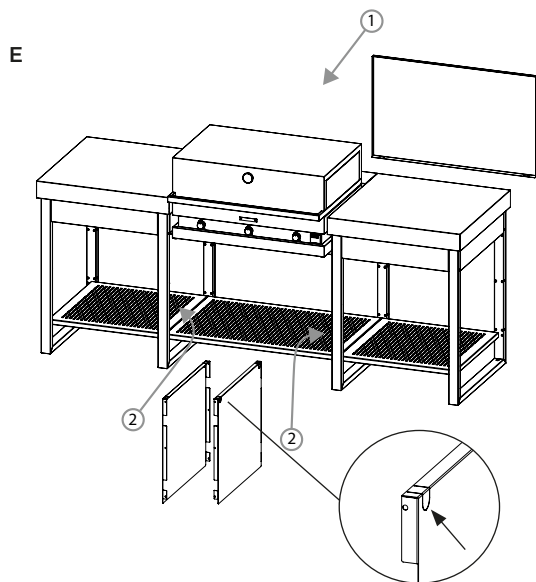
Fit the back and both sides following the procedure on page 29.

D



STEP 1

Fit the back of the BBQ module as shown in image **E** following the instructions on the previous pages. (Blocks and screws supplied in the panelling kit).

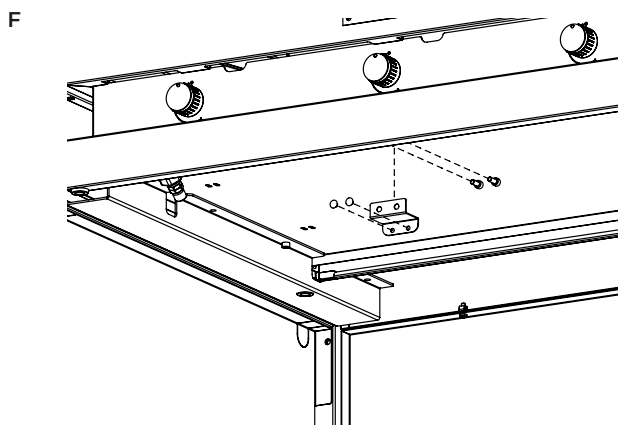


STEP 2

Position the specific side covers for the BBQ module with the knock-outs facing upwards and the folds pointing inwards, as shown in image **E**. Only fit the screws on the rear. (The hinge brackets will also be fastened on the front)

STEP 3

Fit the door stop bracket on the BBQ as shown in image **F**. (Bracket, screws and rubber pads supplied in the panelling kit).



SMOKER MODULE

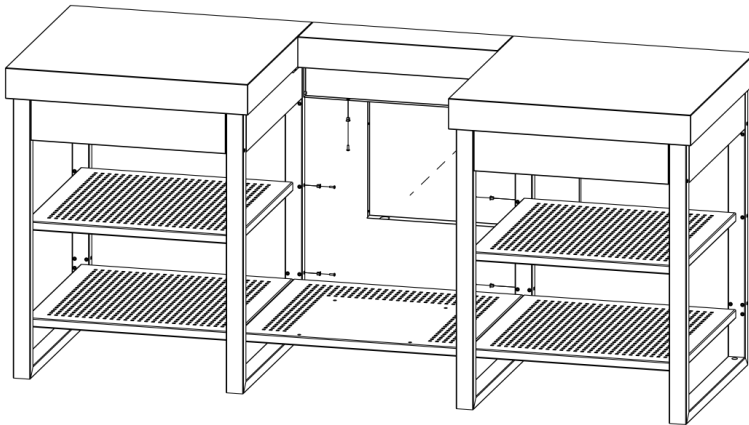
STEP 1

Fit the back of the SMOKER module as shown in image **G** following the instructions on the previous pages. (Blocks and screws supplied in the panelling kit).

STEP 2

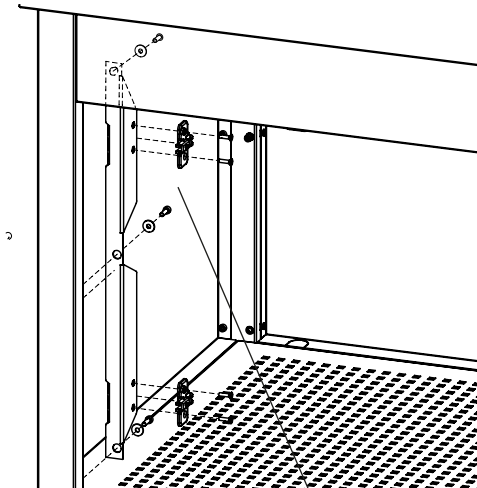
If you decide to fit the side paneling as well, follow the instructions on page 29.

G



HINGES AND DOORS

H



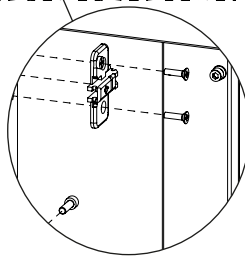
CAUTION

The right and left hinge support brackets are different; to identify them, make sure that the holes line up perfectly.

STEP 1 (*)

Fit the hinge supports to the module legs as shown in image H.

For the BBQ module, the supports and sides must be fastened simultaneously using the same screws and holes, Screws and washers supplied.

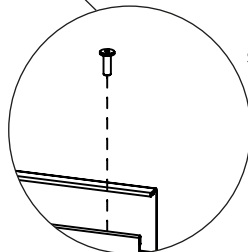
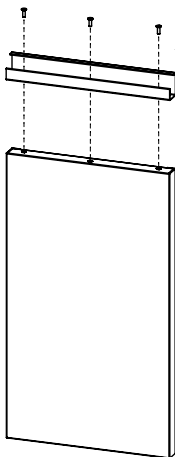


STEP 2

Fit the hinge mounting plate to the supports just fitted as shown in image H.

(Screws supplied).

L



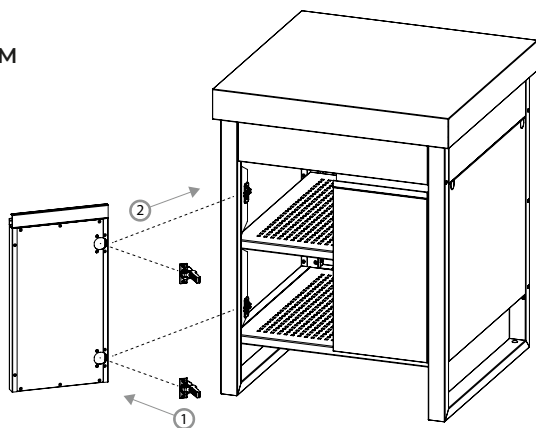
STEP 3

The doors are symmetrical and become right or left according to which side the handle is fitted.

Fit the handles to the doors as shown in image L.

(Screws supplied).

M



STEP 4

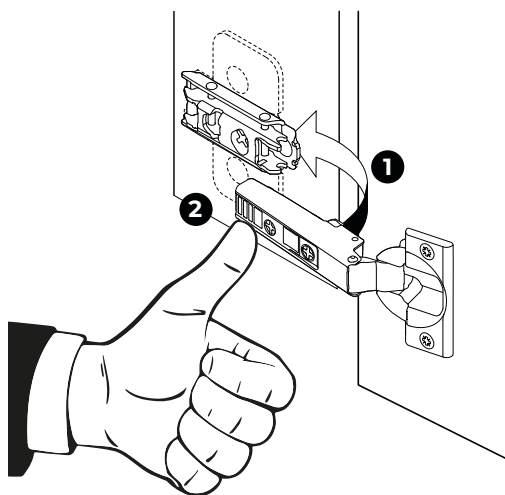
Fit the hinges on the doors with the screws supplied as shown in image M.

STEP 5

Fit the doors by attaching the hinges to the hinge mounting plates as shown in images M/N.

The door can be fitted to and removed from the kitchen body without using tools. Just apply a light pressure to the levers.

N



INTERMEDIATE SHELVES

Only applicable to blank and hob modules.

STEP 1

Tighten the 4 upper screws inside the module legs with the washer as shown in image **A**, leaving them loose.

STEP 2

Insert the shelf as shown in image **A**, and tighten the screws inserted previously.



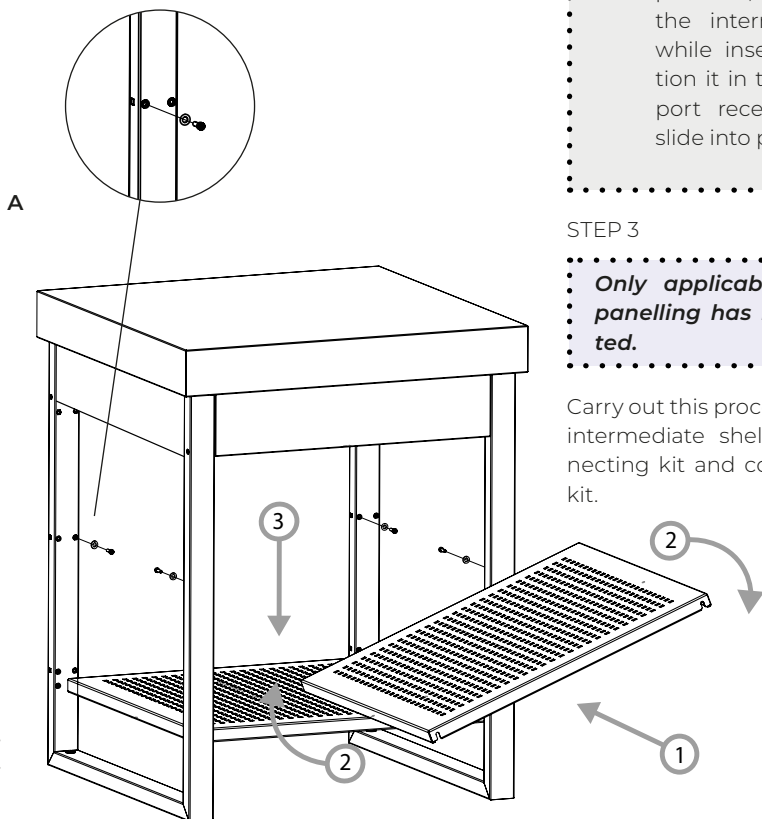
CAUTION

If the module has been panelled, lift the back of the intermediate shelf while inserting it, position it in the hinge support recess and let it slide into place.

STEP 3

Only applicable when the panelling has NOT been fitted.

Carry out this procedure also for the intermediate shelves in the connecting kit and corner connecting kit.



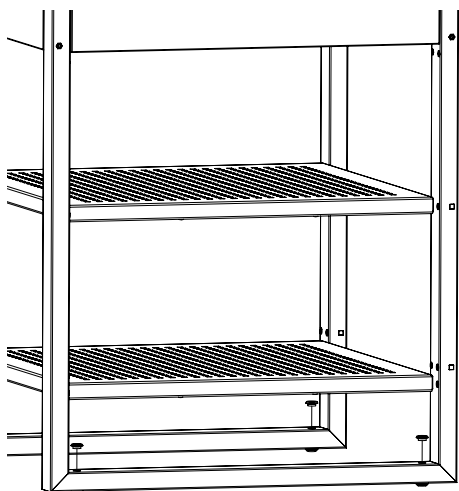
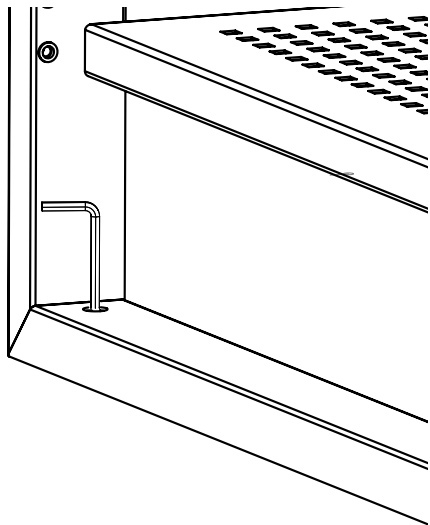
ADJUSTING THE FEET

STEP 1

Adjust the height of the feet using the hexagonal key supplied, so that the modules are perfectly level.

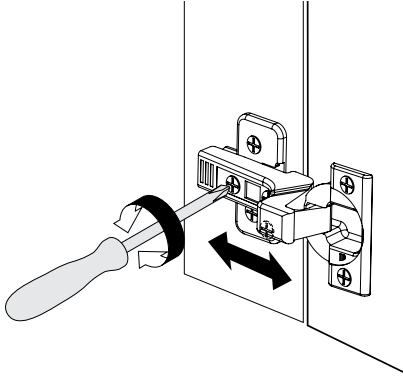
STEP 2

Once all the modules have been levelled, close the adjustment holes with the plugs supplied.

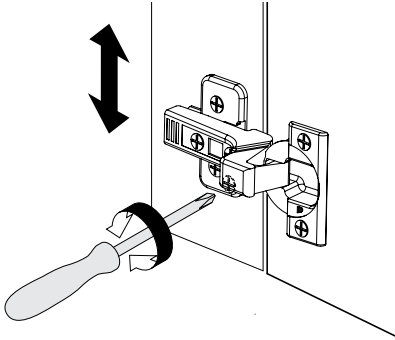


ADJUSTING THE DOOR

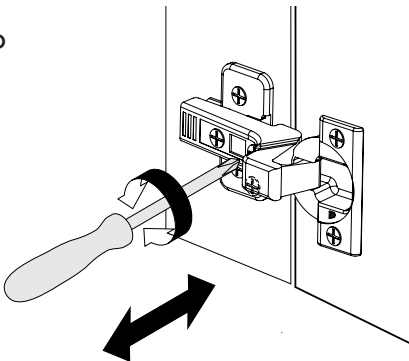
B



C



D



STEP 3

Adjust the doors as shown in images **B**, **C** and **D**.

ROUTINE CLEANING AND MAINTENANCE

The LÀRES outdoor kitchen line from FÒGHER is the result of extensive experience and thorough research to ensure that it fulfils the intended purposes and is a product of great quality.

It is important to understand that good quality must be backed up with correct use and proper maintenance

KITCHEN



Clean the kitchen with a soft, non-abrasive sponge, or a cotton or microfibre cloth.



Use a soft-bristle brush (e.g. toothbrush) to get into hard-to-reach points and cracks.



Simply clean shelves and doors that do not normally come into contact with dirt or food with a soft cloth slightly moistened with water, and then dry the area thoroughly.



Stainless steel must be cleaned gently but effectively using:

- soap and water or dishwashing liquid provided it does not contain chlorine or its compounds (e.g. bleach, muriatic acid, etc.). Rinse with plenty of water and dry thoroughly.
- white wine vinegar: Remove any trace of limescale, heating it up and leaving it to take effect for a few minutes for the more stubborn stains. Then rinse and dry thoroughly.
- Bicarbonate of soda: Pass this abrasive but delicate product with a soft, slightly damp sponge to create a paste that will clean stains. Leave it to take effect, then rub with a clean cork and rinse. Dry well after rinsing.



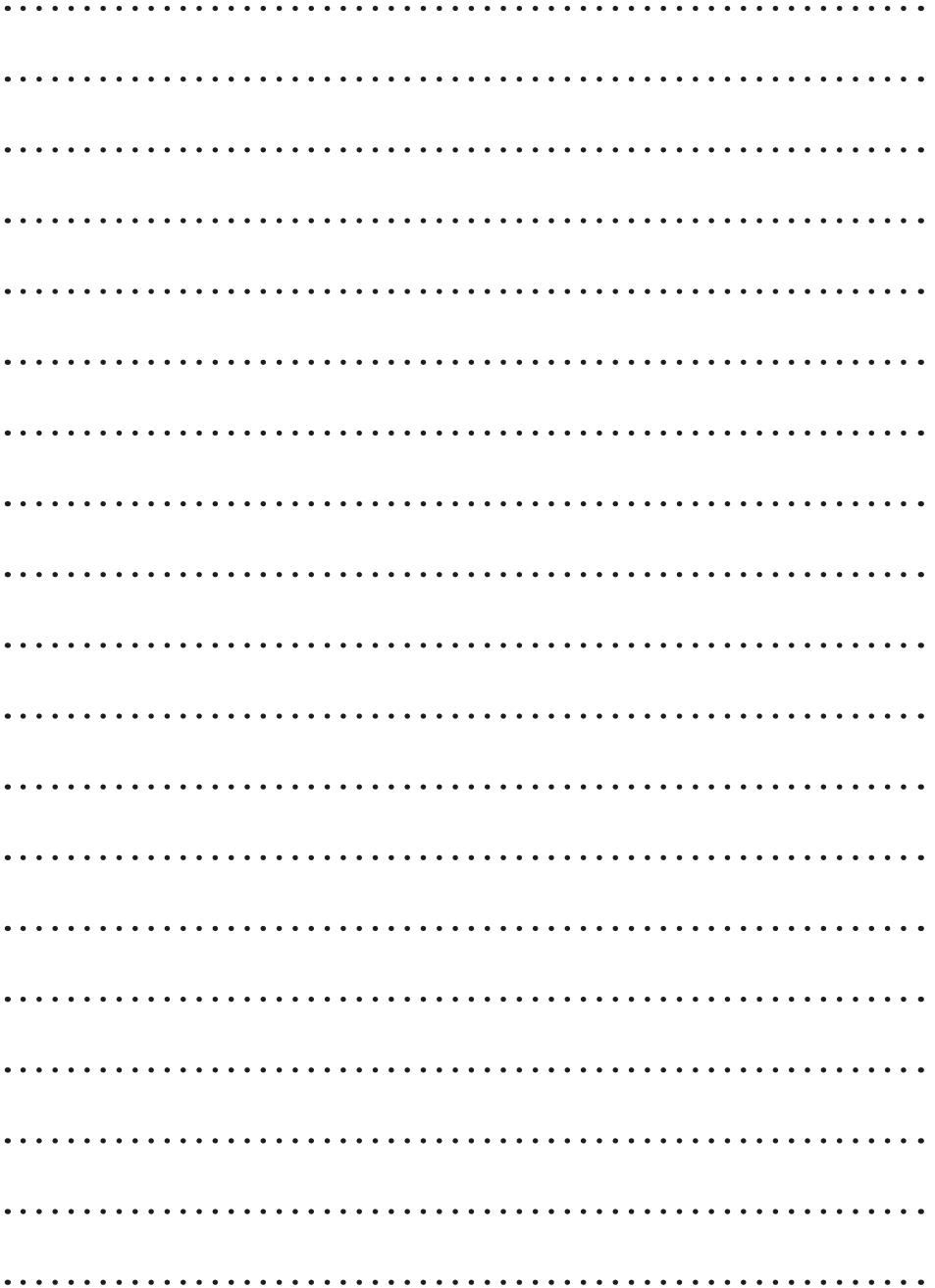
CAUTION After washing, rinse thoroughly with water and dry carefully with a clean cloth.

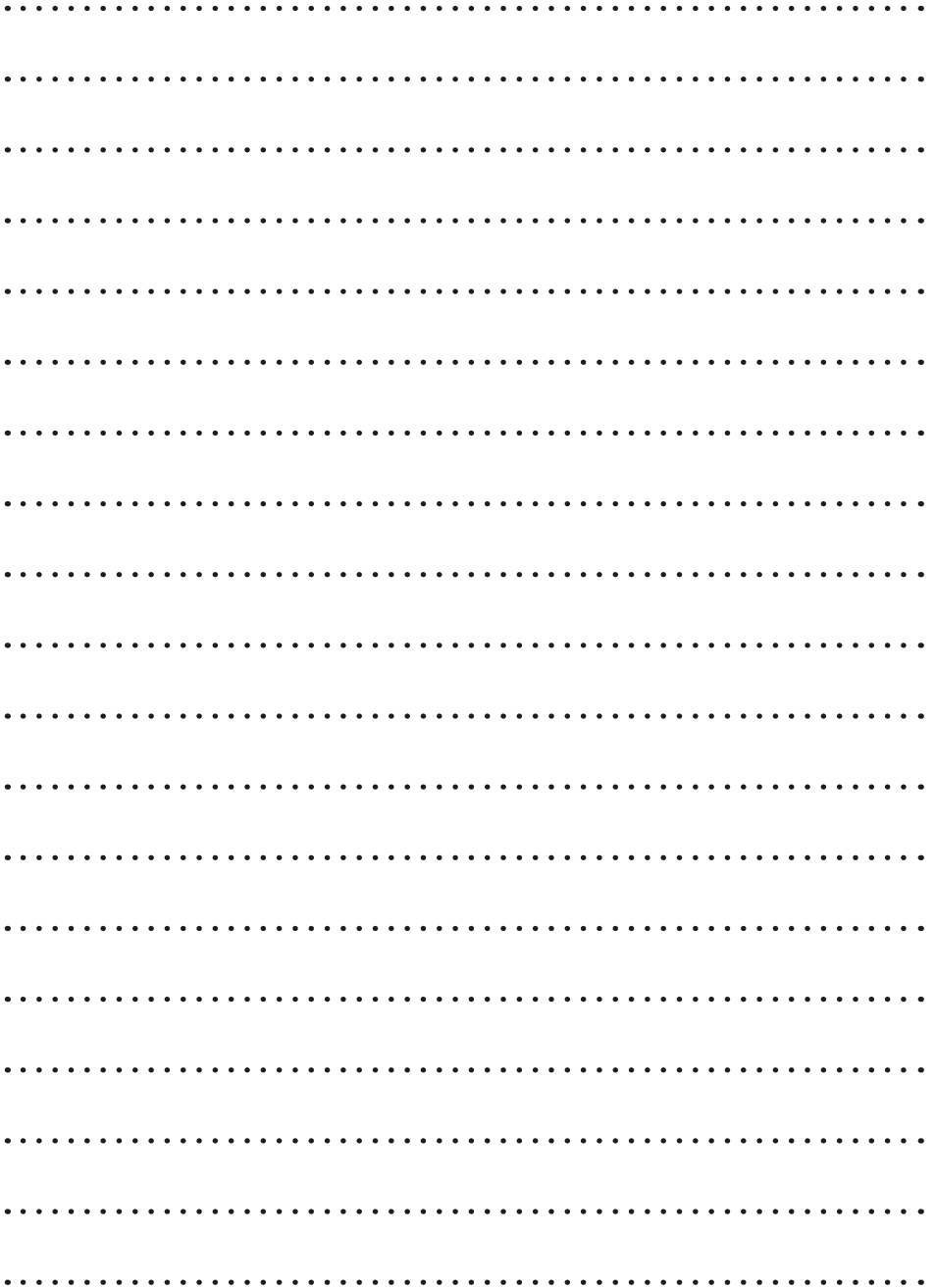


FÖGHER recommends treating the external stainless steel parts with LONG-LIFE PROTECTION from the Fögher line.



Spread an even film over the stainless steel surfaces and leave it a few minutes to dry, then wash it off with soapy water before letting food touch the surfaces. The frequency of this procedure depends on the place and weather conditions to which the kitchen is exposed.





FÒGHER

outdoor cooking design

www.fogher.com
info@fogher.com

Deimos srl

Via Cavassico Inferiore, 1 - Trichiana
32028 Borgo Valbelluna (BL) - ITALY
Tel. +39 04378066
Fax +39 0437806699
www.deimosgroup.com
info@deimosgroup.com

FÒGHER is a Deimos trademark