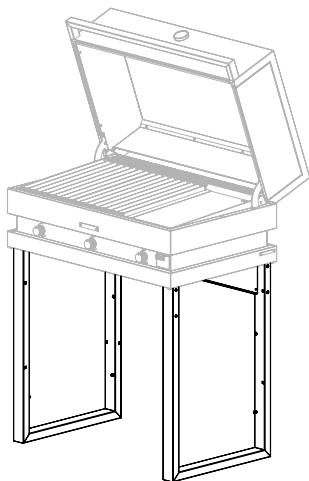


FÖGHER

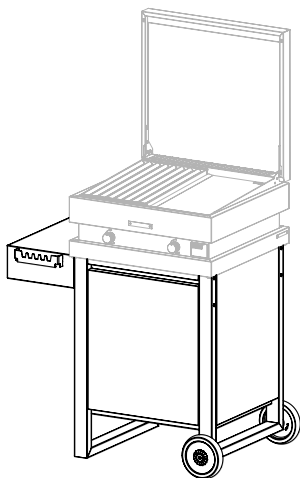
outdoor cooking design

ACCESSORIES FOR FGA

LEG KIT AND TROLLEY KIT



500/750/1000



500/750/1000

MANUAL AND ASSEMBLY INSTRUCTIONS

BEFORE INSTALLING AND OPERATING THIS PRODUCT, PLEASE READ THE MANUAL CAREFULLY.

ENGLISH

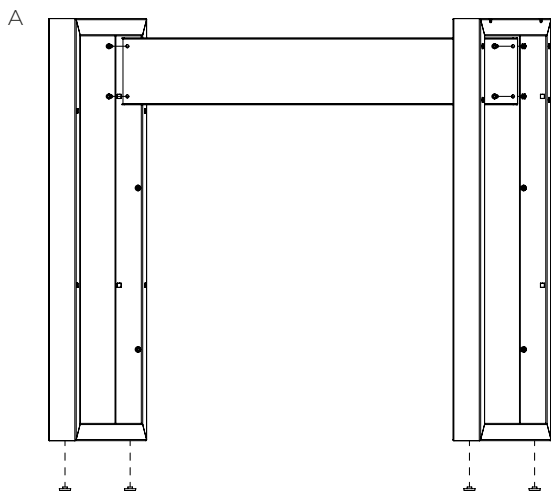
INDEX

FITTING THE LEGS	5
FITTING THE TROLLEY	6
FITTING PANELS.....	10
ADJUSTING THE DOORS.....	13
ACCESSORIES.....	14
ROUTINE CLEANING AND MAINTENANCE.....	14

FITTING THE LEGS

The following pages will describe the procedures for fitting the leg kit and trolley kit. The images will illustrate the legs for the 750 model and the trolley for the 500 model, but the procedure is the same for all models: 500, 750, 1000.

The trolley fitting procedure will describe the configuration with the wheels on the right and the side worktop on the left, but the procedure can be carried out with the positions reversed (wheels on the left and worktop on the right).



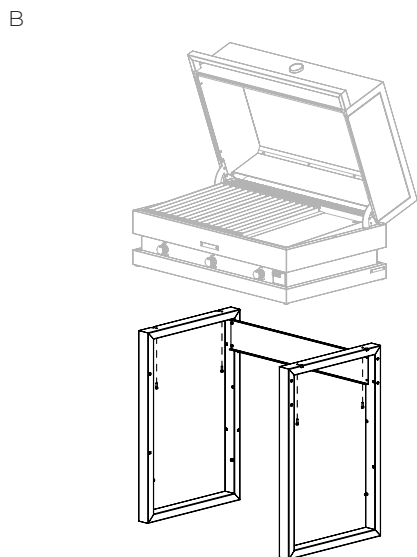
STEP 1

Assemble the cover behind the legs and the feet on the legs as shown in image A using the screws supplied.

The feet are divided into two pieces, fit the larger one and then insert the smaller one to lock it in position

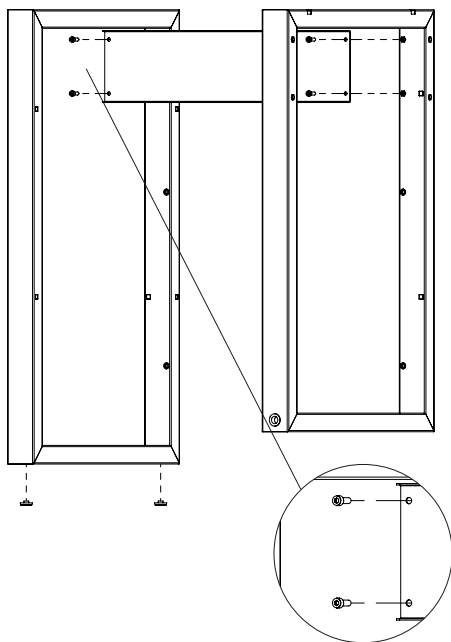
STEP 2

Place the BBQ on the legs and fasten it from underneath as shown in image B using the screws supplied.



FITTING THE TROLLEY

A



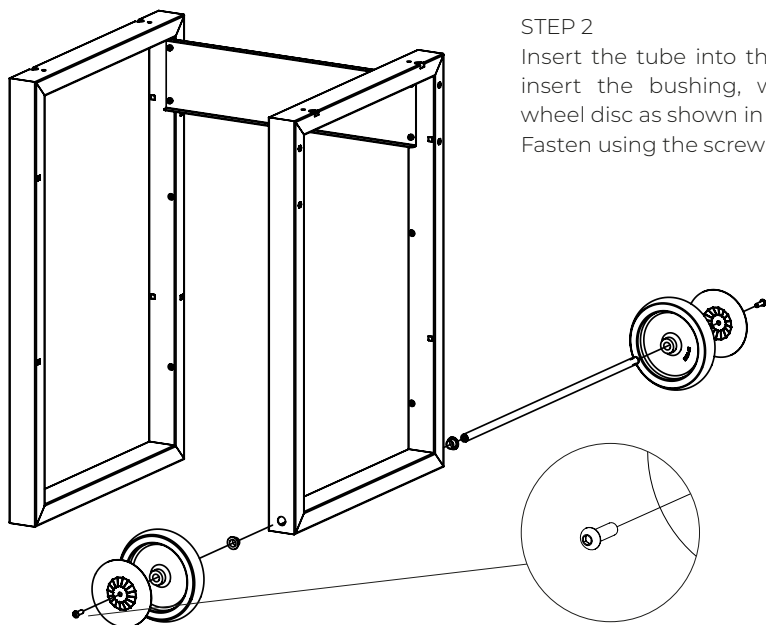
The trolley fitting procedure describes the configuration with the wheels on the right and the side worktop on the left, but the procedure can be carried out with the positions reversed (wheels on the left and worktop on the right).

STEP 1

Assemble the cover behind the legs and the feet on the longer leg as shown in image A using the screws supplied.

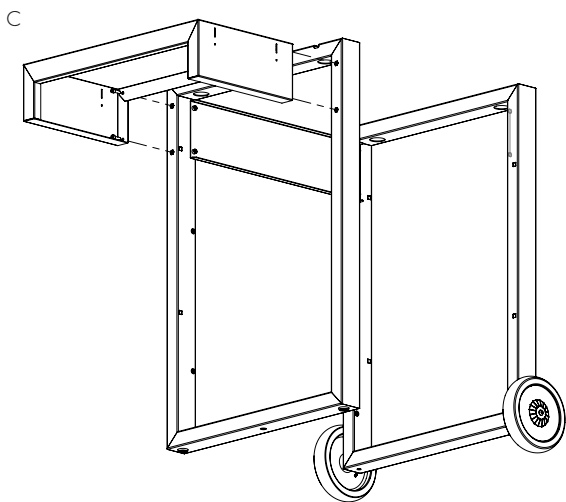
The feet are divided into two pieces, fit the larger one and then insert the smaller one to lock it in position

B



STEP 2

Insert the tube into the leg, and insert the bushing, wheel and wheel disc as shown in image B. Fasten using the screws supplied.

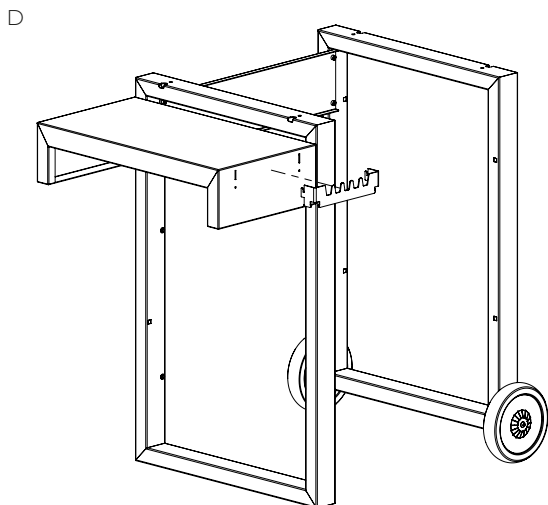


STEP 3

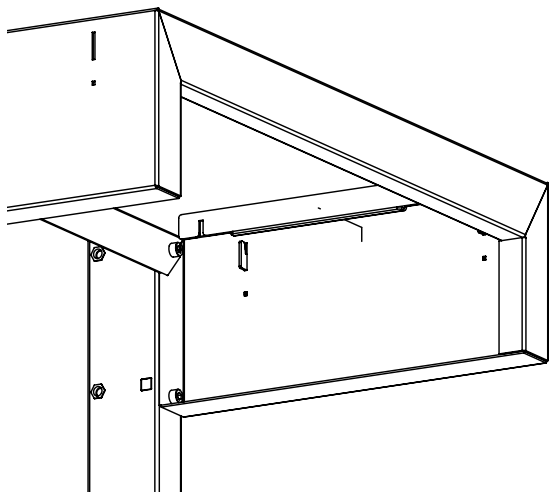
Fit the side supports to the legs as shown in image A using the screws supplied.

STEP 4

Insert the corkscrew/hanger as shown in image D.



E



STEP 5

Fasten the corkscrew/hanger using the special block as shown in image E.

STEP 6

Tighten the 4 lower screws inside the module legs as shown in image F, leaving them loose.

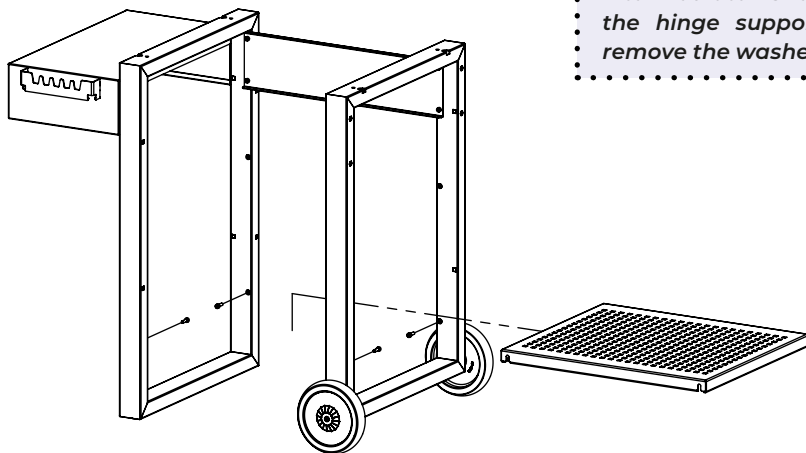
STEP 7

Position the lower shelf as shown in image F, tighten the shelf screws inserted previously.

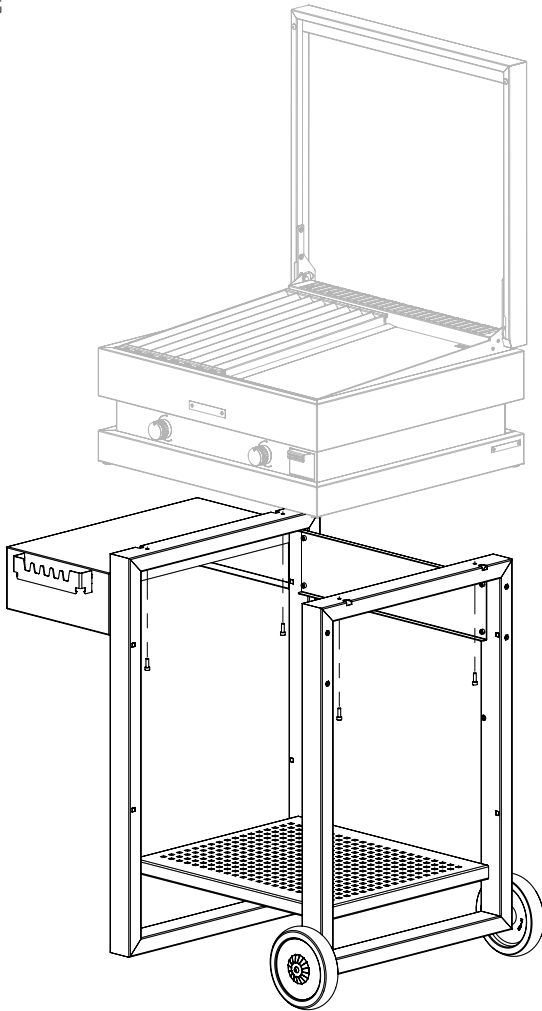
(IF YOU INTEND TO FIT THE PANNELLING, LEAVE THE SCREWS LOOSE AT THIS TIME)

*If there is an intermediate shelf, fit it using the same procedure.
If there are panels, fit the intermediate shelf after the hinge supports, and remove the washer.*

F



G



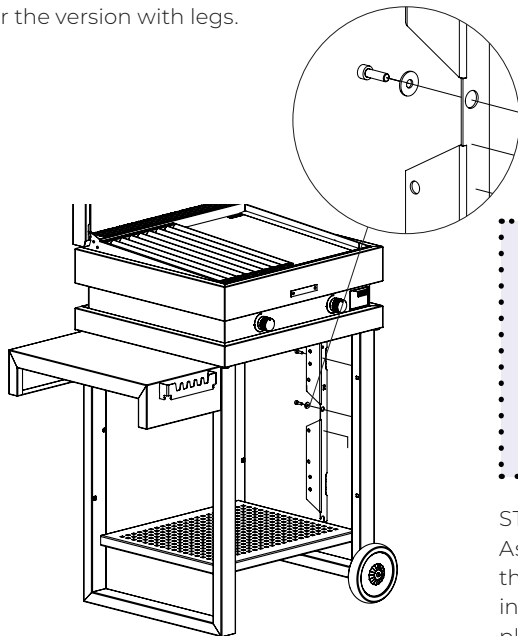
STEP 8

Place the BBQ on the trolley and fasten it from underneath as shown in image B using the screws supplied.

FITTING PANELS

The procedure for fitting panels will be described for the version with a trolley, but it is the same for the version with legs.

A



As shown in the images, the 500 model has a door with hinges on the right, while the 750 and 1000 models have two doors. The kit contains right and left versions of the supports and doors.

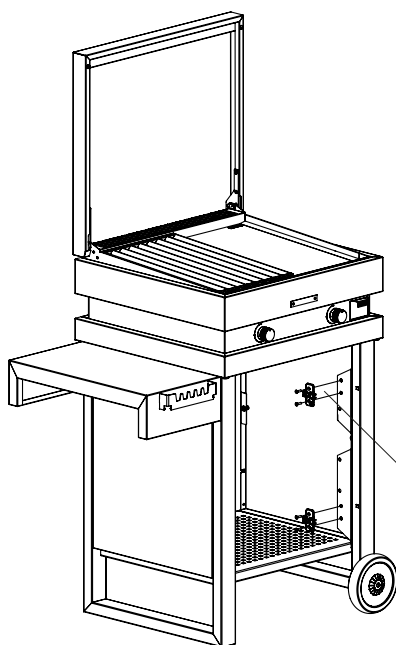
STEP 1

Assemble the door supports to the legs as shown in image A using the screws and washers supplied.

Insert the support between the lower shelf and the leg.

Tighten the 4 screws fitted previously.

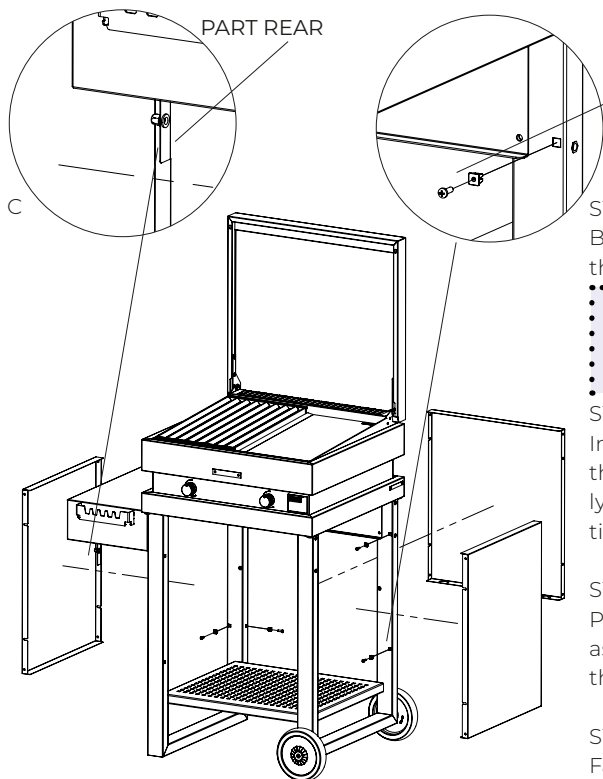
B



STEP 2

Assemble the hinge mounting plates to the door supports as shown in image B using the screws supplied.

CAUTION just take care to fit the hinge mounting plates in the correct direction



STEP 3

Break the 12 square knockouts on the trolley legs.

ATTENZIONE non dovranno essere sfondati i 4 pre-tranci sul lato delle porte.

STEP 4

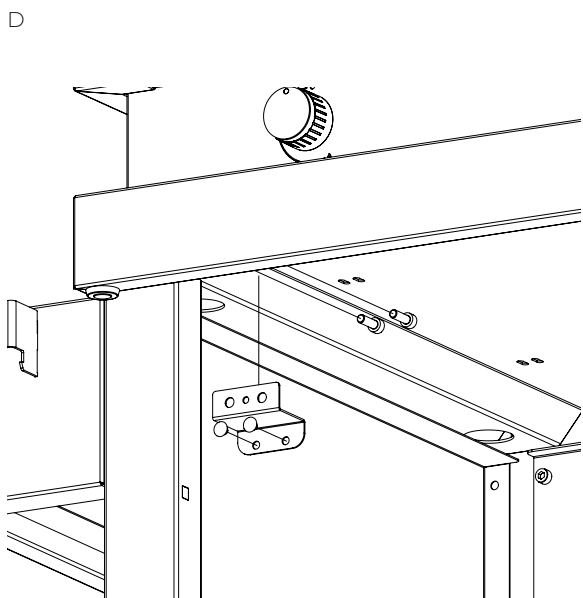
Insert the threaded blocks into the knockouts broken previously and insert the screws without tightening them fully.

STEP 5

Position the side and rear panels as shown in picture c and tighten the screws.

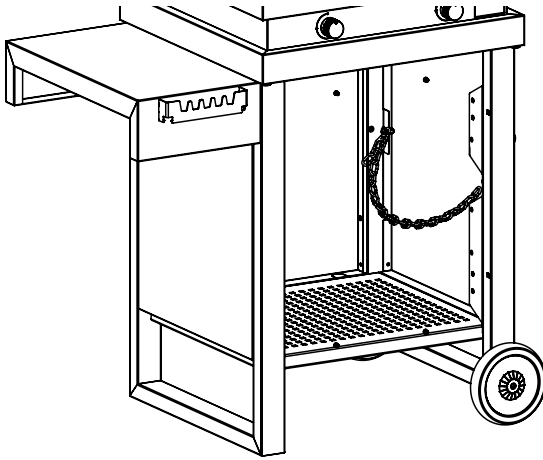
STEP 6

Fasten the rubber pads to the door stop bracket and fasten the door stop bracket to the BBQ as shown in figure d using the screws supplied.



CAUTION do not break the 4 knockouts on the sides of the doors.

Fit the door stop bracket on the left for the 500 model, and fit it at the centre of the barbecue for the 750 and 1000 models.

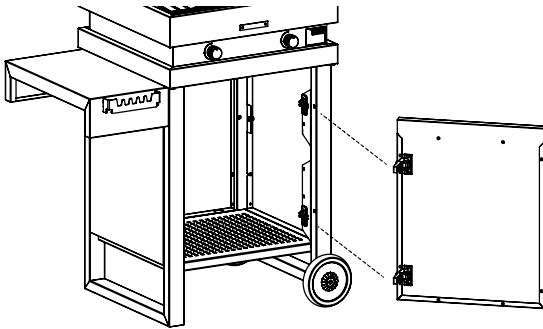


When using the trolley to house a cylinder, fit the safety chain to hold the cylinder firmly in place.

STEP 7

Fasten the chain for the cylinder using the screw and washer at the rear and the shackle at the front.

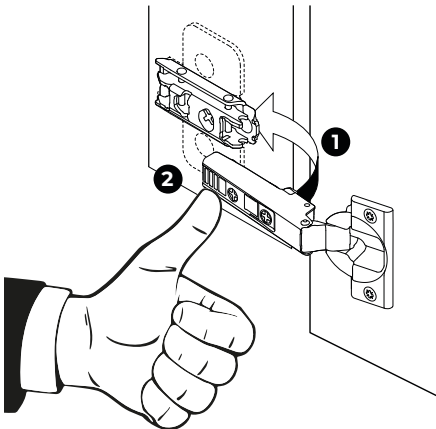
The shackle will attach to one of the three holes in the door support, depending on the cylinder height.



STEP 8

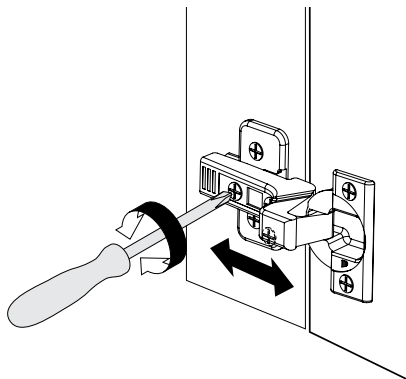
Fasten the hinge to the door using the screws supplied, and attach the door to the hinge mounting plates previously assembled to the door supports.

*The doors can be fitted to and removed from the leg/ trolley body without using tools.
Just apply a light pressure to the levers.*



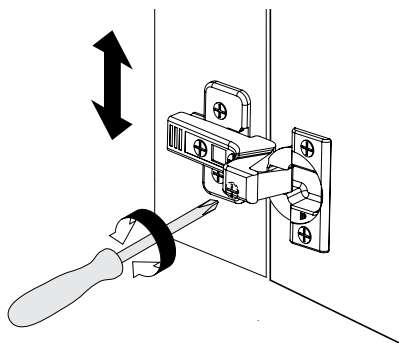
ADJUSTING THE DOORS

A

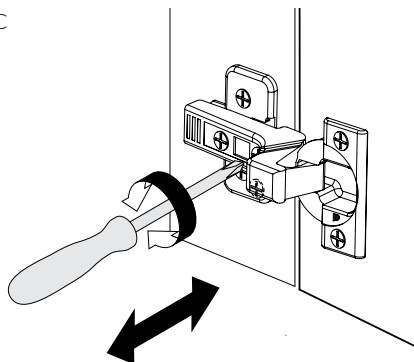


Adjust the doors as shown in images **A**, **B**, and **C**.

B



C



ACCESSORIES

LEG KIT

The following Items can be added to the leg kit:

- Lower shelf;
- Additional intermediate shelf;
- 1 or 2 side worktops.

TROLLEY KIT

The following items can be added to the trolley kit:

- Intermediate shelf;
- Side worktop.

On both models, the number of corkscrews/hangers can be increased to a maximum of 2 per worktop (front/rear).

ROUTINE CLEANING AND MAINTENANCE



Clean steel parts and painted parts with lukewarm soapy water using a soft cloth or sponge; avoid using metal scourers or scrapers that could damage the surfaces and form rust.

Do not use aggressive or caustic substances such as bleach, acids, various solvents or mixtures containing chlorine.

The periodic use of protective oil on steel parts is recommended.

Follow the cleaning instructions described above after each use to keep the kits in good condition.

FÒGHER

outdoor cooking design

www.fogher.com
info@fogher.com

Deimos srl

Via Cavassico Inferiore, 1 - Trichiana
32028 Borgo Valbelluna (BL) - ITALY
Tel. +39 04378066
Fax +39 0437806699
www.deimosgroup.com
info@deimosgroup.com

FÒGHER is a Deimos trademark