

5 ADAPTING TO DIFFERENT TYPES OF GAS

- **This appliance must be installed by qualified personnel in accordance with the National Rules in force.**
- Check the type of gas that will power the appliance and make sure the appliance is pre-set for that type of power supply: if not, adapt it by following the instructions.

If the appliance is set-up to operate with other types of gas, proceed as follows:

- replace the nozzles of each burner
- adjust the minimum flame setting

5.1 REPLACING NOZZLES

- unscrew the retaining screw of the burner (fig. A)
- move the burner forward and remove it (fig. B)
- remove the nozzle with a 7mm socket wrench and replace it with a standard nozzle for the desired type of gas (fig. C)
- refit and secure the burners in the correct position. Make sure the screw is positioned in the slot of the previous position.

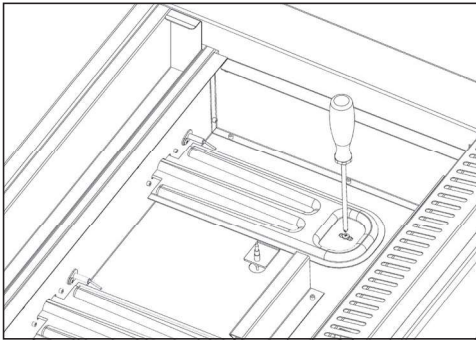


FIG. A

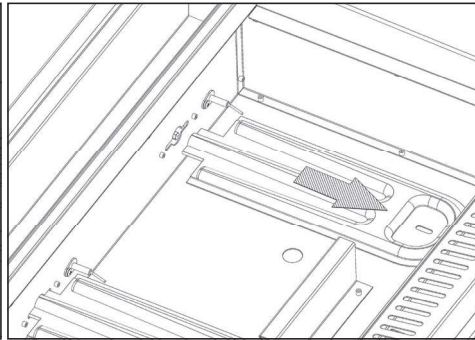


FIG. B

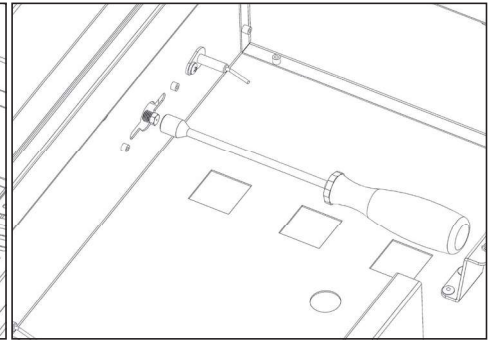


FIG. C

5.2 ADJUSTING THE MINIMUM FLAME SETTING

- Turn on the burner and turn the knob to the minimum position “Low ▲”
- Pull out the knob of the gas tap (fig. E) and use a screwdriver (fig. F) to turn the adjustment screw on the side (fig. G) until the correct minimum flame is achieved. Make sure the flame at minimum enters into contact with the tip of the thermocouple to prevent the burner from turning off during use.
- Replace the knob

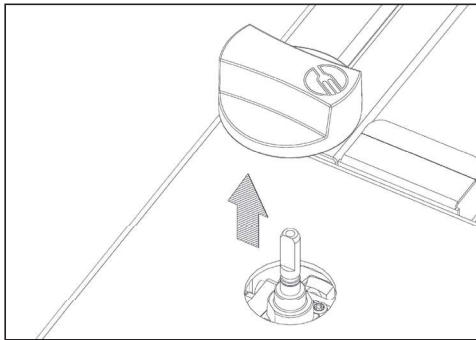


FIG. E

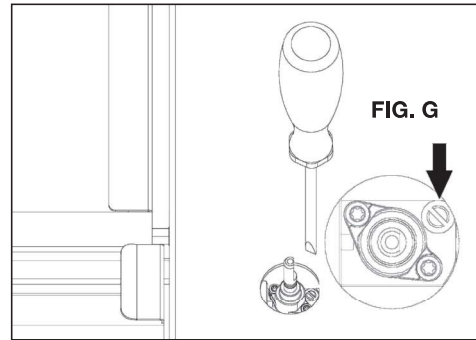


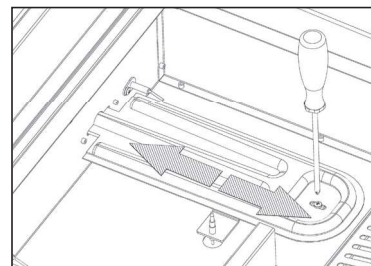
FIG. F

FIG. D

5.3 ADJUSTING THE FLAME

After adjusting the minimum setting, it is necessary to check the intensity of the flame. To adjust the flame, unscrew the retaining screw and move the burners towards or away from the nozzle until a stable blue flame is achieved that is not “detached” from the burner. (fig. D)

- If the flame is instable or “detached from the burner”, move the burner a few millimetres towards the nozzle. (fig. D)
- If the flame is opaque with yellow tips, move the burner a few millimeters away from the nozzle. (fig. D).
- Secure the burner by closing the screw.



5.4 UPDATING OF TECHNICAL LABEL

After adapting the appliance to a different type of gas from the factory-set gas, update the silver technical label on the barbecue with the new gas property.